

(REVISION)

07.09.83



PERMIT TO CONSTRUCT - CERTIFICATE OF FINAL APPROVAL  
Onsite Sewage Treatment and Disposal System

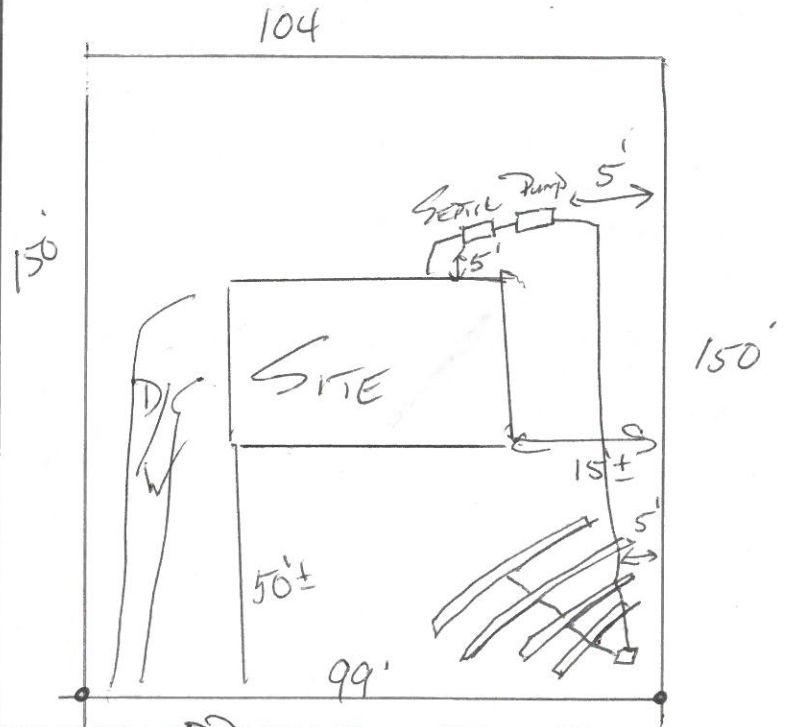
Permit No: 2007-09-0083 Type Facility: RES. 3 BDR RES TMS#: 686-1-3-26  
Name: CATHERINE CRAVEN Address: \_\_\_\_\_ Sys. Category: 362-270  
Subdivision: CAESARS HEAD Street: UPPER OIL CAMP TR Section/Lot: 90 Type Water Supply: PUBLIC

SYSTEM SPECIFICATIONS

Max. Est. Daily Flow: 360 gpd  
Loading Rate: 18 ft  
Tank Size(s): 1000 gallon Pump Tank  
Trenches: Length: 95  
Width: 6'  
Max. Bottom Depth: \_\_\_\_\_  
Aggregate Depth: 14"  
Min. Pump Capacity: \_\_\_\_\_ gpm  
at \_\_\_\_\_ ft. of Head

PERMIT TO CONSTRUCT

(NTS)



SPECIAL INSTRUCTIONS/CONDITIONS

Check for elevation  
at time of inspection  
to size pump

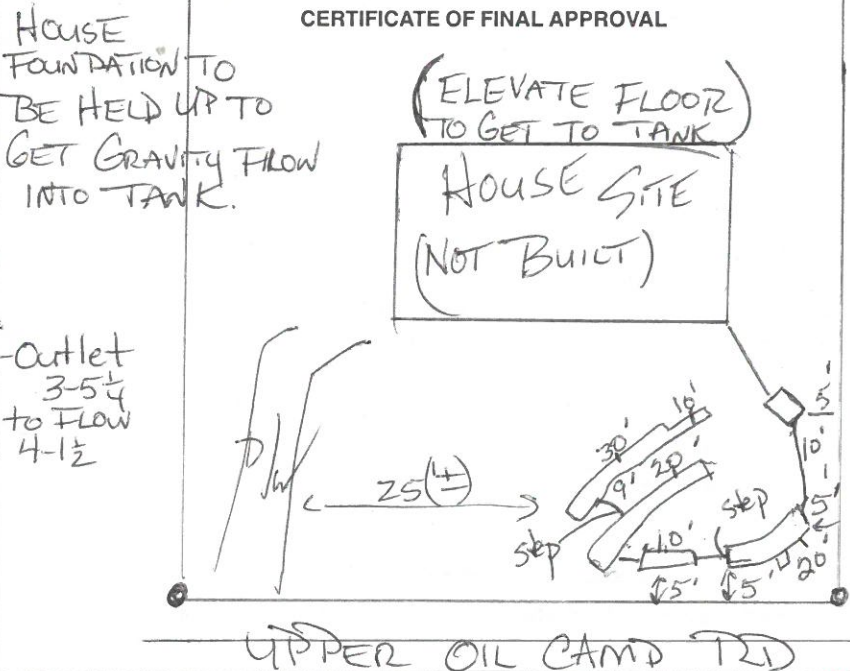
ACTUAL INSTALLATION

Installer: McCall 11/19/07  
Tank(s) Mfg.: SOUTHERN  
Aggregate Type: F2 FLOW  
Well Installed: Yes  No   
Nearest Actual Distance to:  
Well: PUBLIC  
Building: NOT BUILT  
Property Line: 5'  
Stream/Impoundment: NA

ANY CHANGES TO SYSTEM MUST BE AUTHORIZED BY THE HEALTH DEPARTMENT PRIOR TO INSTALLATION.

CERTIFICATE OF FINAL APPROVAL

(NST)



Line No.	Elevation Readings
Stubout: NOT BUILT (TANK)	
S/T Inlet: <del>2-7 1/2</del> (2-7 1/2)	
S/T Outlet: <del>2-7 1/2</del> (LEVEL)	
Pipe INTO FLOW	
20'	4-3 4-3
	4-2 1/2 step over
10'	5-1 1/4
20'	5-1 1/4
	5-2 step
30'	6-10 3/4 6-10 3/4
10'	6-10 3/4

THIS CERTIFICATE OF FINAL APPROVAL IN NO WAY GUARANTEES THE LIFE OF THE SYSTEM OR THAT IT WILL FUNCTION PROPERLY UNDER ANY OR ALL CONDITIONS.

Issued By: Jim Gilliam Date: 11/16/07 Approved By: Jim Gilliam Date: 11/19/07