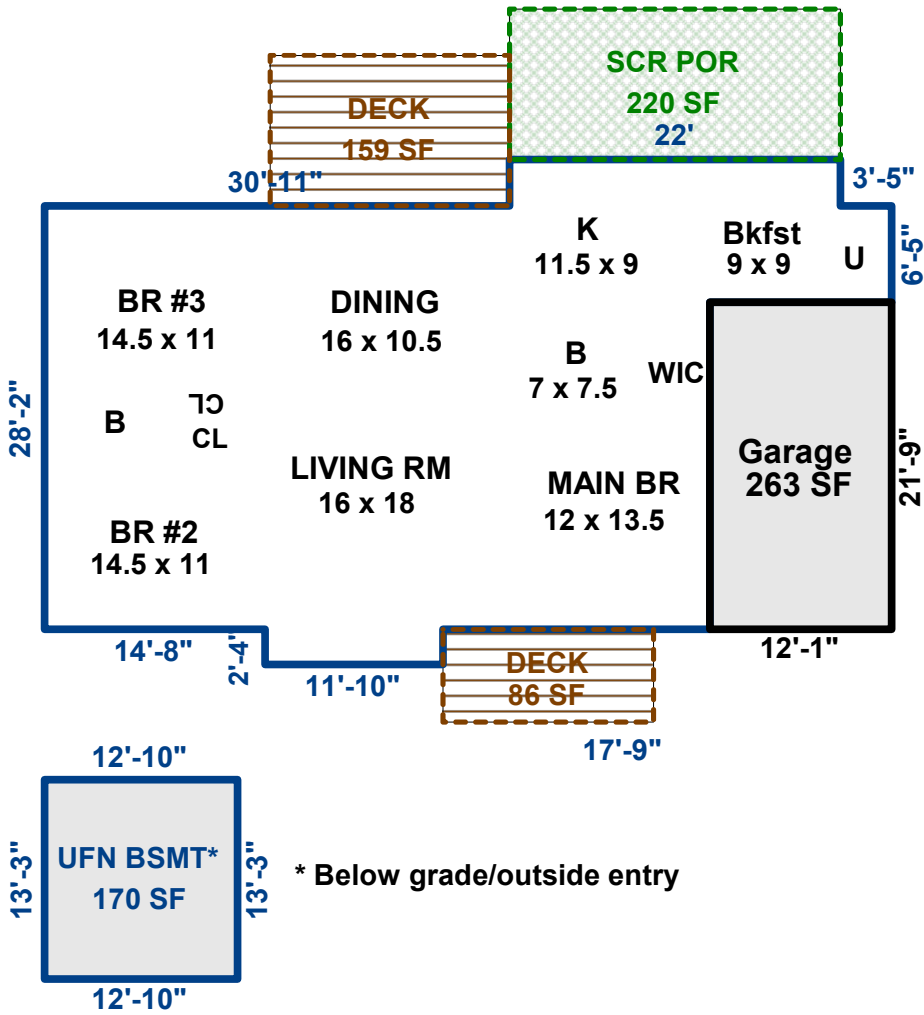


**FINISHED HEATED LIVING AREA**

**1419 SF**



\* Below grade/outside entry